

Key: Prison Paracentric
Door: Sliding
Security Level: Maximum

50HBM DEADLATCH



Description

Series 50HBM Deadlatches are lever tumbler, motor-operated locks for sliding doors, utilizing hookbolts. Specify keying as follows:

- 51 Keyed case side
- 52 Keyed cover side
- 56 Keyed both sides

Applications

Jamb-mounted 50HBM locks should be specified for maximum security cell, corridor, sallyport, or entrance/egress sliding doors. May be installed within a lock pocket or full height column. They are designed to be part of an electrical locking/unlocking system to provide institutional staff with maximum safety and flexibility of operation.

Operations

All 50HBM locks are operated by electric motor. The choice of two motor operations provides a variety of functions:

Full-Rotation Motor (50HBM) with latchback (1):

Unlocks when the motor is energized by a momentary contact switch. Once unlocked, the hookbolt is held mechanically in the raised position until the door is opened. It then returns to normal, lowered position.

Two-Position Motor (50HBMC) without latchback (2):

Same as above, except that the hookbolt is raised and lowered as the motor runs. A door starter should be installed in the track housing to push the door open when the motor reaches the unlocking point.



Testing

50HBM locks have been tested for over 1,000,000 operations.

Standard Features

- **Motor voltage** – 120VAC
- **External mounting** – Locks install without cover plate removal. External slotted mounting holes simplify installation and allow for variations in door gap by permitting lateral movement.
- **Two-piece plug connector** – Simplifies wiring at time of installation and allows pre-wiring at the lock pocket.
- **Superior durability** – Working parts are stainless steel and designed for maximum strength and corrosion resistance.

- **Hardened hookbolt and deadlock actuator** – Zinc plated for corrosion resistance.
- **Motor operation** – A choice of two operations is available, as shown on following page.
- **High security** – Choice of five or six lever tumbler models. Six tumbler model offers greater pick resistance.
- **Mechanical unlocking by key** – Once unlocked by key, the hookbolt remains in that position until relocked by key (Models without latchback feature). Key is removable in the unlocked position.
- **Indication switch** – The indication switch monitors the deadlock lever to indicate a deadlocked hookbolt.
- **Finish** – Zinc plated.



ALSE MEXICANA S.A. DE C.V.

Santa Beatriz No. 3722, Col. Jardines de San Ignacio, Zapopan 45040, Jal. Tel. (33) 3121 7878 Fax (33) 3121 9131
 www.alsemexicana.com info@alsemexicana.com Lada sin costo: 01-800-001-ALSE



Key: Prison Paracentric
Door: Sliding
Security Level: Maximum

50HBM DEADLATCH

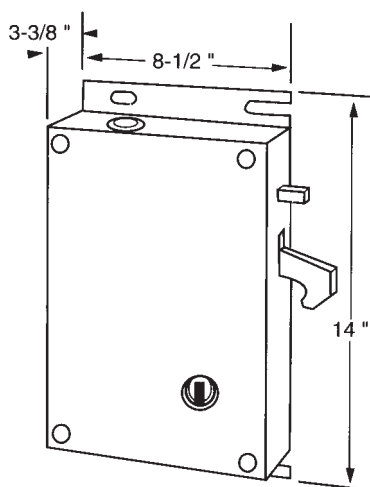
Optional Features

Motor voltage – 24VDC

Lock bolt keepers – Select 50H-4DB with dust box.

Dimensional Data

Note: Dimensions are for information and planning purposes only and should not be used as templates.



Specifications

- Case – 7 and 10 gauge steel.
- Cover – 10 gauge HRS.
- Hookbolt – .5 inch steel, case hardened and zinc plated.
- Deadlock actuator – .5 inch square CRS, hardened and zinc plated.
- Deadlock and operator levers – Stainless steel.
- Springs – Stainless steel.
- Motor – Synchronous-type gearmotor with brake.

Electrical Characteristics

- Motor (AC) – Synchronous-type gearmotor with brake.
Ratings: 120VAC, 60HZ, 1.3 amps at full load.
- Motor (DC) – Permanent magnet gearmotor.
Ratings: 24VDC, 2.2 amps at full load.
- Indication switch – SPDT, UL Listed.
Deadlock Ratings: 15 amps at 125 or 250 VAC.
Auxiliary Ratings: 10 amps 125 or 250 VAC.

MODEL NO.	OPERATION DESCRIPTION	LATCHBACK		OPERATION SWITCHES INTERLOCK	INDICATION SWITCH DEADLOCK
		WITH	WITHOUT		
50HBM-1-01	1	X			X
50HBM-1-04	2		X		X

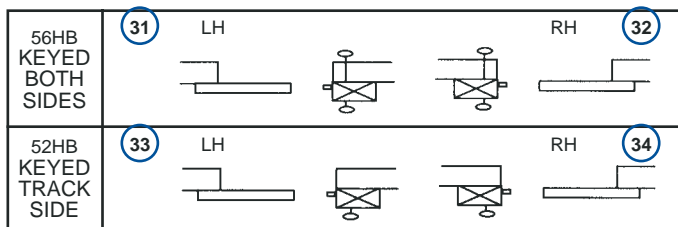
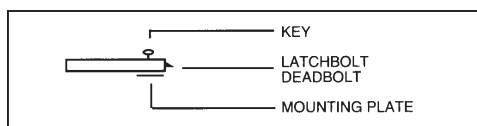
This chart shows applicability of functions and features to specific 50HBM models. For complete details, see How To Specify on the following page.

50HB Series Locks

LOCK COVER PLATE TRACK SIDE

Specify circled swing number when ordering.

LEGEND

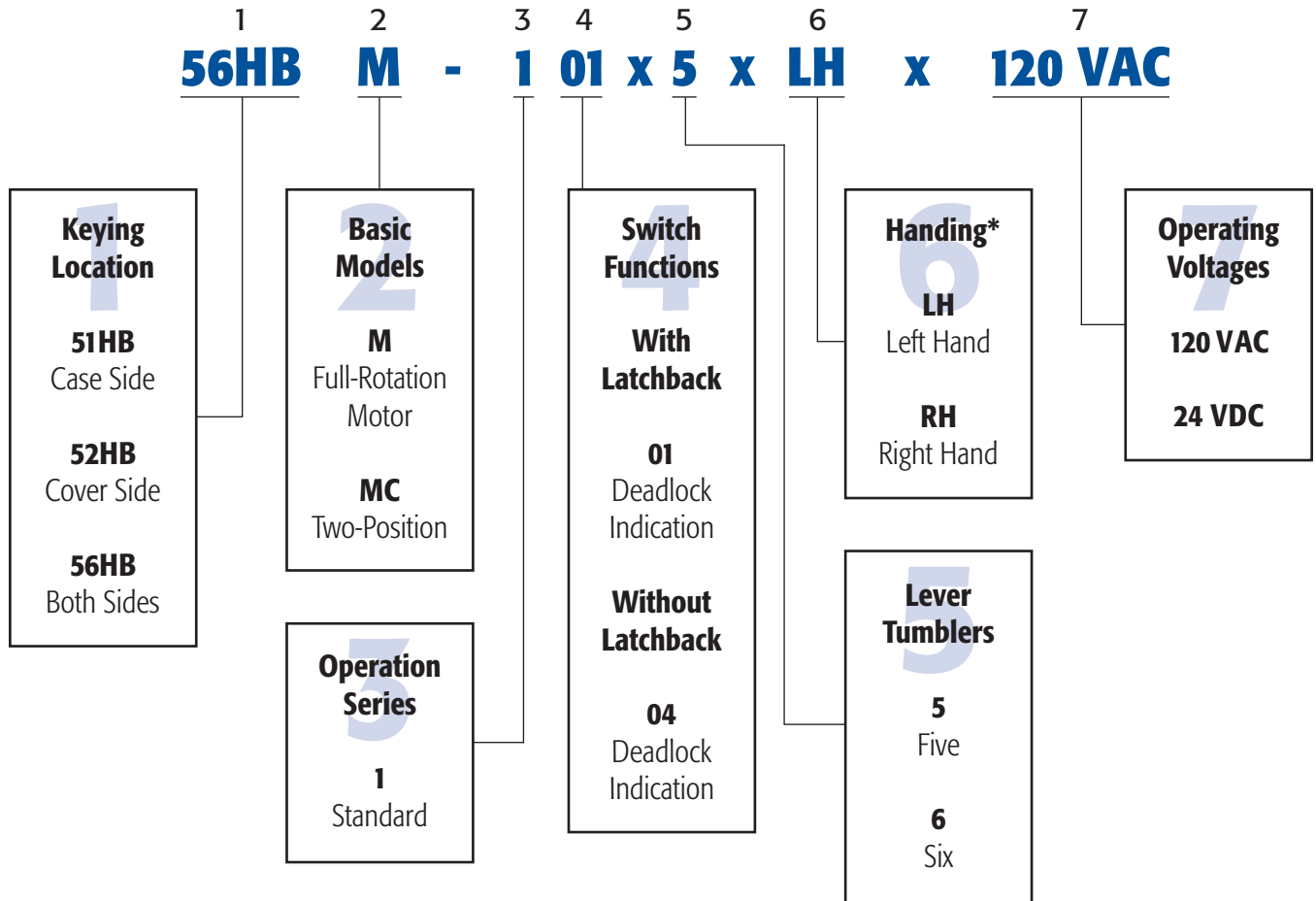


ALSE MEXICANA S.A. DE C.V.

Santa Beatriz No. 3722, Col. Jardines de San Ignacio, Zapopan 45040, Jal. Tel. (33) 3121 7878 Fax (33) 3121 9131
 www.alsemexicana.com info@alsemexicana.com Lada sin costo: 01-800-001-ALSE



HOW TO SPECIFY 50HBM SERIES LOCKS



*For information on handing, see chart on previous page.

