

**Key:** Mogul  
**Door:** Roll-up  
**Security Level:** Medium/Maximum

# 120RUP DEADLATCH

## Description

Series 120RUP Deadlatches are pin tumbler, solenoid-operated locks for roll-up doors. Specify keying as follows:

- 121 Keyed case side
- 122 Keyed cover side
- 126 Keyed both sides

## Applications

Series 120RUP Deadlatches are designed to provide security for garage and service bay roll-up doors. In the case of roll-up shutters or unusual closures, the units may be keyed two sides, with key holdback one side only. 120RUP Models are fully compatible with electrically operated and monitored systems and provide safe, remote locking and unlocking.

## Operation

This device unlocks when the solenoid is energized by a momentary contact switch. Once unlocked, the latchbolt is held mechanically retracted and a switch energizes the "open" circuit of the roll-up door. When the door is opened, the latchbolt extends automatically. 120RUP locks may be mechanically unlocked by key, with latchbolt remaining retracted until relocked by key.

## Testing

120RUP Deadlatches and Maxi-Mogul® key cylinders have been tested to 1,000,000 operations.

## Standards Compliance

120RUP locks are UL Listed as Burglary-Resistant Mechanisms. Maxi-Mogul® key cylinders meet UL437 requirements.



## Standard Features

- Solenoid voltage – 120 VAC.
- Superior durability – Working parts of stainless steel afford greater strength and corrosion-resistance.
- Standard lock size – All models use the same size case, cover and mounting holes for simplified installation and frame preparation.
- External mounting holes – Easy installation and eliminate the need for case and cover removal.
- 1" throw latchbolt – Offers greater security. Each bolt is hardened to resist sawing.

- Mechanical unlocking by key – Specify Folger Adam Mogul cylinders or Maxi-Mogul® high security cylinders.
- Continuous-duty solenoid – Provides instant unlocking action.
- Finish – Zinc plated case and cover.

## Optional Features

- Optional solenoid voltage – 230 VAC, 60Hz.
- Indication/auxiliary switches – An indication switch monitors the deadlock lever indicating a deadlocked latchbolt.



**ALSE MEXICANA S.A. DE C.V.**  
 Santa Beatriz No. 3722, Col. Jardines de San Ignacio, Zapopan 45040, Jal. Tel. (33) 3121 7878 Fax (33) 3121 9131  
 www.alsemexicana.com info@alsemexicana.com Lada sin costo: 01-800-001-ALSE



**Key:** Mogul  
**Door:** Roll-up  
**Security Level:** Medium/Maximum

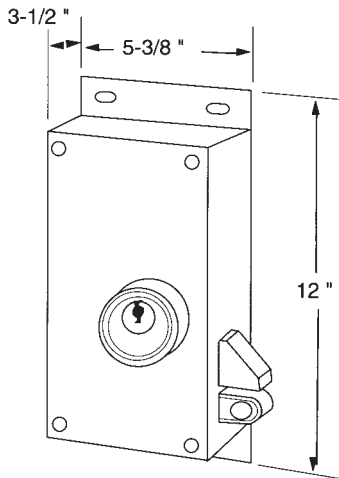
# 120RUP DEADLATCH

- **Key cylinder extension** – When the lock is keyed on the stop side of the jamb, an extension eliminates the need for a special, recessed frame pocket. Specify E-3 for 3", E-4 for 4" or E-5 for 5" extensions.

## Dimensional Data

Note: Dimensions are for information and planning purposes only, and should not be used as templates.

For complete details, see How to Specify in this section.



## Specifications

- **Case and cover** – 10 gauge steel.
- **Latchbolt** – Investment-cast stainless steel, hardened, 1" throw.
- **Deadlock lever** – Stainless steel, adjustable for door gap variations.
- **Roller bolt** – Investment-cast stainless steel with stainless steel roller.
- **Operating lever** – Stainless steel to operate with solenoid.
- **Solenoid** – 120 VAC continuous duty with stainless steel guides, 230VAC optional.
- **Springs** – Stainless steel.

## Electrical Characteristics

- **Solenoid voltage standard (120 VAC)** – 13 amps inrush - .75 amps seated.
- **Solenoid voltages optional (230 VAC)** – 6.6 amps inrush - .38 amps seated.
- **Switches** – SPDT, UL Listed, 15 amps @ 125 or 250 VAC.



**ALSE MEXICANA S.A. DE C.V.**

Santa Beatriz No. 3722, Col. Jardines de San Ignacio, Zapopan 45040, Jal. Tel. (33) 3121 7878 Fax (33) 3121 9131  
 www.alsemexicana.com info@alsemexicana.com Lada sin costo: 01-800-001-ALSE



# HOW TO SPECIFY 120 SERIES LOCKS

1 2 3 4 5 6 7 8 9  
**126 E - 1 - 01 x M0-US26D x LHRB x 120 VAC x LEK-2 x E3**

**Keying Location**

**121**  
Case Side

**122**  
Cover Side

**126**  
Both Sides

**Basic Models Deadlatches**

**E**  
Solenoid

**M**  
Full-Rotation Motor

**MC**  
Two-Position Motor

**Deadbolts**

**ED**  
Solenoid

**RUP**  
Solenoid  
(Roll-Up Door)

**Operation Series**

**1**  
Standard

**2**  
Knob Release

**3**  
Holdback by Key  
(one side only)

**Switch Functions**

**01**  
Deadlock Indication Switch With Latchback

**04**  
Deadlock Indication Switch No Latchback

**07**  
Electric Holdback

**Key Cylinder and Finish**

**Folger Adam Mogul**

**M**  
Prep. Only

**M0-US26D**  
110 Mogul Cylinder with US26D Finish

**M1-US26D**  
190-1 Maxi-Mogul® Key Cylinder with US26D Finish

**190-A**  
ASSA Mogul Key Cylinder with US26D Finish

**190M**  
Medeco Mogul Key Cylinder with US4 Finish

**Available Key Cylinder Finishes:**

**US26D (standard)**  
US26D

**Lock Handing\* Deadlatches**

**LHRB**  
Left Hand Reverse Bevel

**RHRB**  
Right Hand Reverse Bevel

**Deadbolts**

**LH**  
Left Hand

**RH**  
Right Hand

\*For application handing see the handing chart on the following page.

**Operating Voltage**

**Solenoid**  
120 VAC  
230 VAC

**Motor**  
120 VAC  
24 VDC

**LEK Feature**

**LEK-1**  
Case Side

**LEK-2**  
Cover Side

**LEK-6**  
Both Sides

**Key Cylinder Extension**

**E3**  
3" Long

**E4**  
4" Long

**E5**  
5" Long





# HOW TO SPECIFY 120 SERIES LOCKS

Specify circled swing number when ordering.

<p><b>126 LOCK</b> LOCK COVER HINGE SIDE EXTENDED MOUNTING COVER STOP SIDE KEYED BOTH SIDES POCKET COVER PLATE HINGE SIDE</p>	<p>DEADBOLT- LH LATCHBOLT- LHRB</p> <p>25</p>	<p>RH RHRB</p> <p>26</p>	<p>DEADBOLT- RH LATCHBOLT- RHRB</p> <p>26</p>	<p>LH LHRB</p> <p>25</p>
<p><b>126 LOCK</b> EXTENDED MOUNTING COVER HINGE SIDE KEYED BOTH SIDES POCKET COVER PLATE STOP SIDE</p>	<p>DEADBOLT- LH LATCHBOLT- LHRB</p> <p>41</p>	<p>RH RHRB</p> <p>42</p>	<p>DEADBOLT- RH LATCHBOLT- RHRB</p> <p>42</p>	<p>LH LHRB</p> <p>41</p>
<p><b>122 LOCK</b> LOCK COVER HINGE SIDE EXTENDED MOUNTING COVER STOP SIDE KEYED HINGE SIDE POCKET COVER PLATE HINGE SIDE</p>	<p>DEADBOLT- LH LATCHBOLT- LHRB</p> <p>27</p>	<p>RH RHRB</p> <p>28</p>	<p>DEADBOLT- RH LATCHBOLT- RHRB</p> <p>28</p>	<p>LH LHRB</p> <p>27</p>
<p><b>122 LOCK</b> EXTENDED MOUNTING COVER HINGE SIDE KEYED HINGE SIDE POCKET COVER PLATE STOP SIDE</p>	<p>DEADBOLT- LH LATCHBOLT- LHRB</p> <p>43</p>	<p>RH RHRB</p> <p>44</p>	<p>DEADBOLT- RH LATCHBOLT- RHRB</p> <p>44</p>	<p>LH LHRB</p> <p>43</p>
<p><b>121 LOCK</b> LOCK COVER HINGE SIDE EXTENDED MOUNTING COVER STOP SIDE KEYED STOP SIDE POCKET COVER PLATE HINGE SIDE</p>	<p>DEADBOLT- LH LATCHBOLT- LHRB</p> <p>29</p>	<p>RH RHRB</p> <p>30</p>	<p>DEADBOLT- RH LATCHBOLT- RHRB</p> <p>30</p>	<p>LH LHRB</p> <p>29</p>
<p><b>121 LOCK</b> EXTENDED MOUNTING COVER HINGE SIDE KEYED STOP SIDE POCKET COVER PLATE STOP SIDE</p>	<p>DEADBOLT- LH LATCHBOLT- LHRB</p> <p>45</p>	<p>RH RHRB</p> <p>46</p>	<p>DEADBOLT- RH LATCHBOLT- RHRB</p> <p>46</p>	<p>LH LHRB</p> <p>45</p>

## LEGEND

- = INDICATES KEYED SIDE (OR SIDES)
- = SYMBOLIZES LOCK POCKET COVER PLATE
- = SYMBOLIZES LATCH BOLT  
(DEADBOLT NOT SHOWN FOR CLARITY)
- = SYMBOLIZES LOCK CASE  
DOUBLE LINE SYMBOLIZES FRONT COVER
- = THICK LINE SYMBOLIZES REINFORCED  
STEEL FOR LOCK AND POCKET  
COVER PLATE MOUNTING



ALSE MEXICANA S.A. DE C.V.

Santa Beatriz No. 3722, Col. Jardines de San Ignacio, Zapopan 45040, Jal. Tel. (33) 3121 7878 Fax (33) 3121 9131  
www.alsemexicana.com info@alsemexicana.com Lada sin costo: 01-800-001-ALSE