

Key: Prison Paracentric
Door: Swinging
Security Level: Medium

17 Latch

DESCRIPTION:

No. 17 Latches are lever tumbler, mechanical locks for small, swinging doors. **Keyed one side only.**

APPLICATIONS:

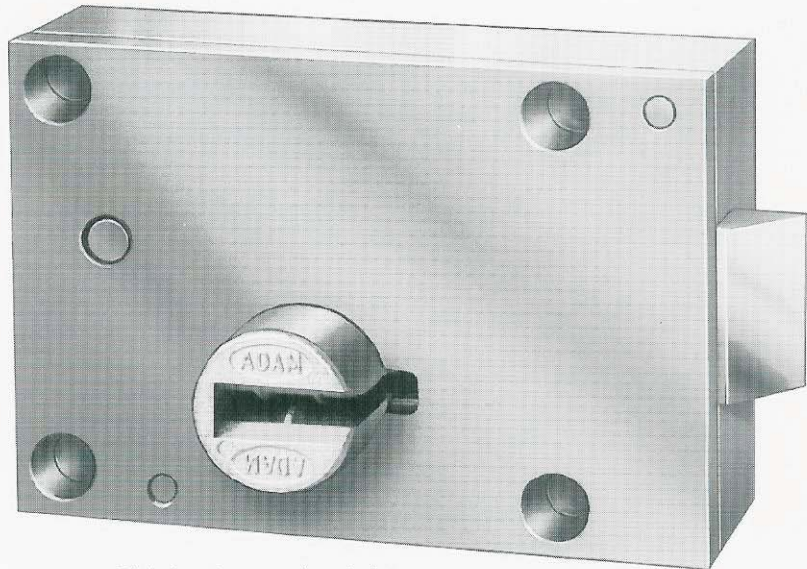
No. 17 Latches are designed for use above hinged food pass doors, on observation panels, gun lockers, or other small doors. Not for use on full size doors. Specify handing.

STANDARD FEATURES:

- **Mechanical operation**—Unlocks by key.
- **Automatic snap-locking**—When door is closed.
- **Durable case**—Malleable iron case with 1/4" cold drawn steel cover.
- **Corrosion-resistance**—Working parts are corrosion-resistant.
- **Heavy duty lever tumblers**—5 spring-temper brass tumblers, activated by heavy phosphor bronze springs. Precision fit to locking fence.
- **Large, solid latchbolt**—Investment-cast stainless steel 1" x 7/16" flush when retracted.
- **Bolt throw**—7/16".
- **Investment-cast key cylinder**—One-piece bronze alloy with paracentric keyway.
- **Supplied**—With four 1/4-20 x 1-1/2" flat head security screws.
- **Finish**—Standard is USP.

OPTIONAL FEATURES:

- **Hollow metal mounting**—Combined with 1/2" bolt projection for in-the-door pocket mounting.



Right hand reverse bevel shown.

- **Square bolt**—Flush and 1/2" projection stainless steel square bolt for special applications.
- **Finish**—Galvanized.

ACCESSORIES (Must be specified separately):

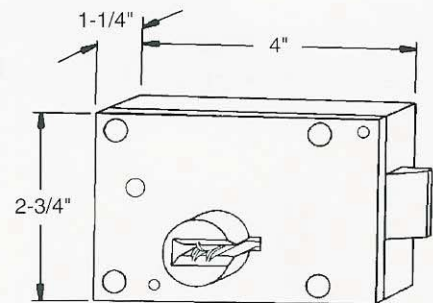
- **17-4F**—Keeper/pull for surface mounted lock.
- **17-4FPD**—Food pass door with keeper (specify 3FP hinges separately).

HOW TO ORDER:

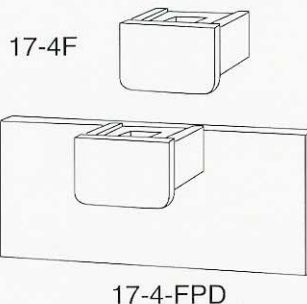
Specify:

1. Quantity
2. Handing
3. Mounting required
4. Key code instructions

DIMENSIONAL DATA:



NOTE: Dimensions are for information and planning purposes only, and should not be used as templates.



Santa Beatriz No. 3722,
 Col. Jardines de San Ignacio,
 Zapopan 45040, Jal.
 Tel. (33) 3121 7878
 Fax (33) 3121 9131
 www.alsemexicana.com

Dakota No. 69 esq. Galveston,
 Col. Nápoles,
 México 03810, D.F.
 Tel. (55) 5543-1938
 Fax (55) 5543-2835
 info@alsemexicana.com

Lada sin costo: 01-800-001ALSE
 (2573)